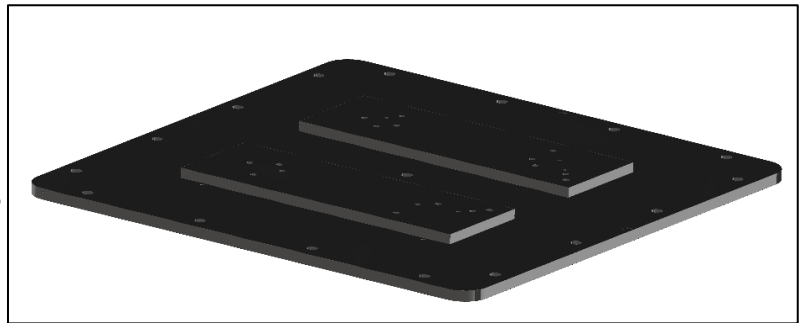


Robot Baseplate and Risers

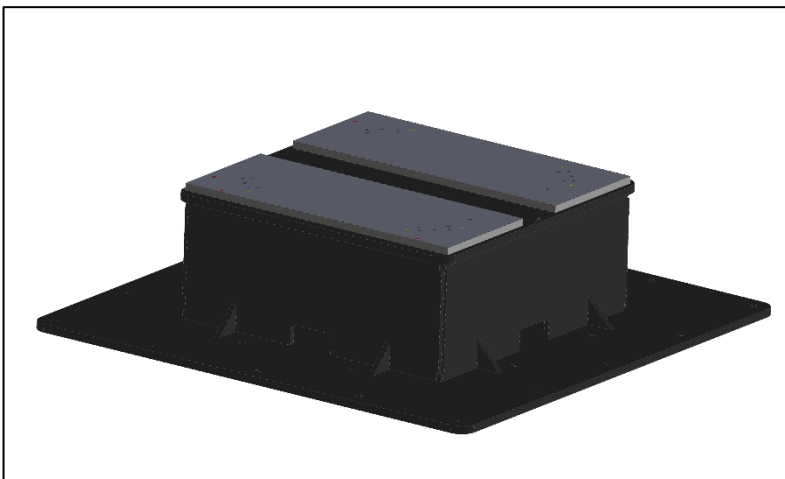
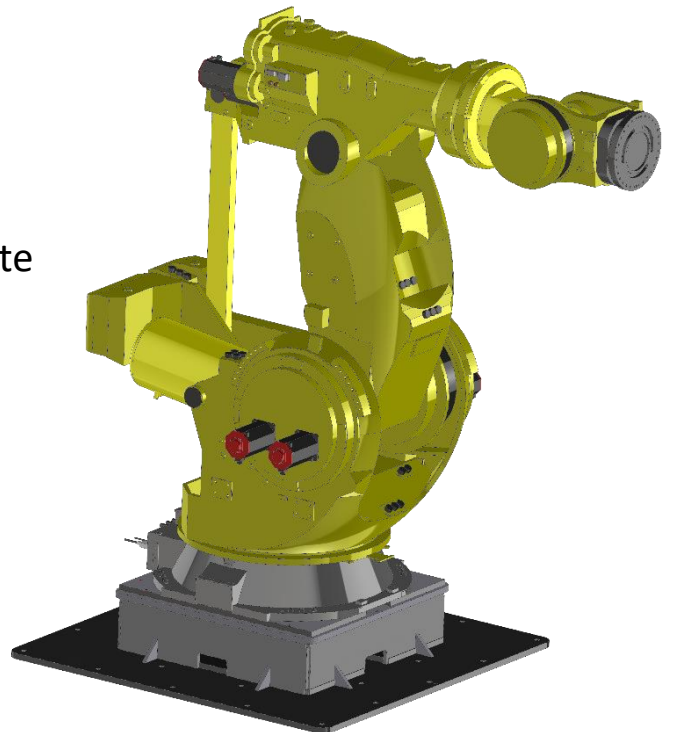
Robot Baseplates allow Robots to be Bolted down to the floor in repeatable Locations and distribute forces through the concrete. Robot Risers, or pedestals as they are otherwise known, help to increase the working envelope of the



robot and optimize the reach. Acieta offers this product line to achieve that exact purpose. Made from Hot Rolled A36 Steel, this verified design and construction is assured to increase robot longevity and last the duration of the application.

Features include:

- Available in Heights from 73mm-975mm to fit your operation to optimize robot reach.
- Available in 2 standard colors:
 - Smooth Signal Red (FC02)
 - Textured Jet Black (FC33)
- Robust, durable, and long lasting.
- FANUC-validated methods for design and manufacture for mounting to concrete floor or other surfaces.



Product Specifications

Configurations:

Height (mm)	Weight (kg) [lbs]	Part Number
73.2	2246 [4952]	0057-368-FCXX
225	3066 [6759]	0057-361-022-FCXX
300	3151 [6947]	0057-361-030-FCXX
375	3236 [7134]	0057-361-037-FCXX
450	3322 [7324]	0057-361-045-FCXX
525	3403 [7502]	0057-361-052-FCXX
600	3488 [7690]	0057-361-060-FCXX
675	3573 [7877]	0057-361-067-FCXX
750	3658 [8065]	0057-361-075-FCXX
825	3744 [8254]	0057-361-082-FCXX
900	3829 [8442]	0057-361-090-FCXX
975	3914 [8629]	0057-361-097-FCXX

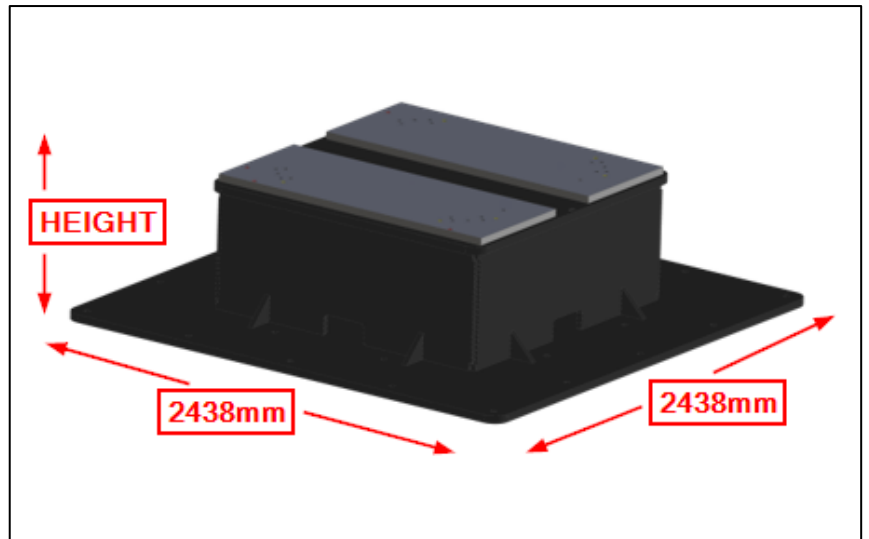
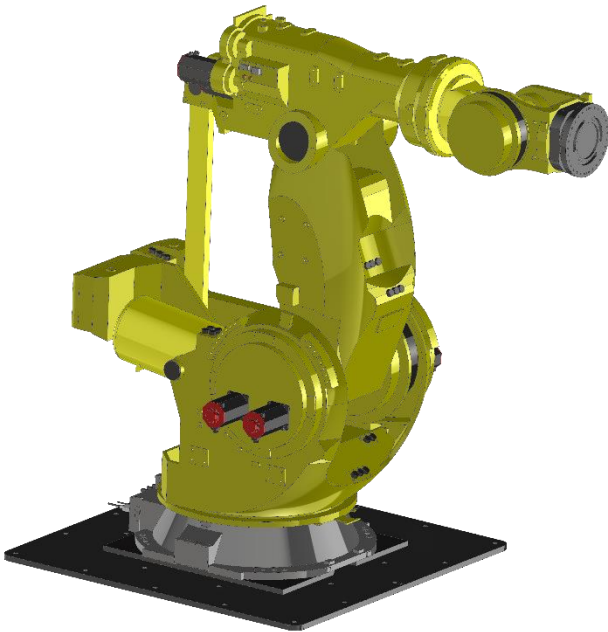
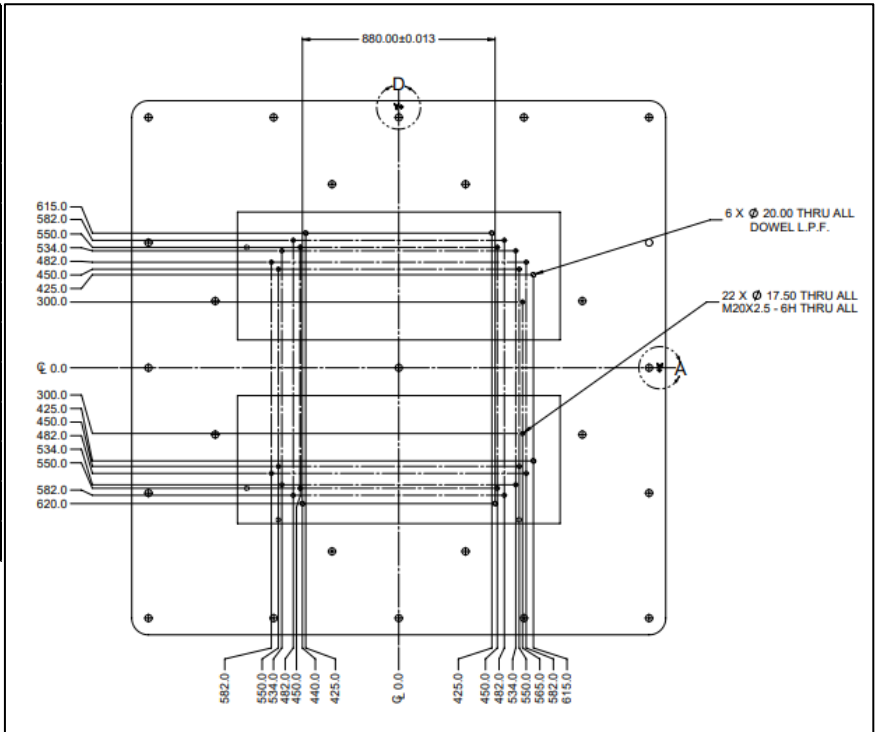
*Complete Finish Code for part number.

Finish Codes:

FC02 – Smooth Signal Red

FC33 – Textured Jet Black

Top Plate Hole Specifications:



Concrete Requirements:

- Minimum Concrete Depth: 200mm (7.875")
- Concrete Flatness: 0.5mm (0.02")
- Maximum Concrete Incline: 0.5 degrees.

Optional:

Anchoring Epoxy kit: 1044-538 (Includes epoxy gun and 30 oz. of epoxy for Anchoring.)

Hardware Pack: 1051-824 (Includes all necessary mounting hardware for Robot and Anchors.)

TRAINING, PARTS, PREVENTIVE MAINTENANCE AND 24/7 SERVICE • STANDARD AND CUSTOM ROBOTIC SOLUTIONS

shop.acieta.com | 844-4-ACIETA | info@acieta.com

Acieta is a leading FANUC Authorized System Integrator and certified A3 Robotics Integrator.

300-1005 Rev: A